

# VB400 1-PORT DOCK

A compact, lightweight dock perfect for remote workers with a small number of VB400 cameras spread across multiple sites.



## GENERAL INFORMATION

Product Code	VB-400-DOCK-SOLO
Compact and Unobtrusive	The VB400 1-Port Dock can fit on a desk without displacing other items - it can also be carried in a bag or briefcase.
Scalability	Up to four 1-Port Docks can be connected to a DockController.
Compatibility	Compatible with DockController DC-200 or PC running VideoManager.
Easy To Deploy	Connection is a single USB to the PC. (Cable supplied).
Speedy Plug-in/Pull-out Connectivity	The VB400 can be easily docked or undocked for speedy use.
Warranty	Please speak to your account manager for more information about the warranties available in your region

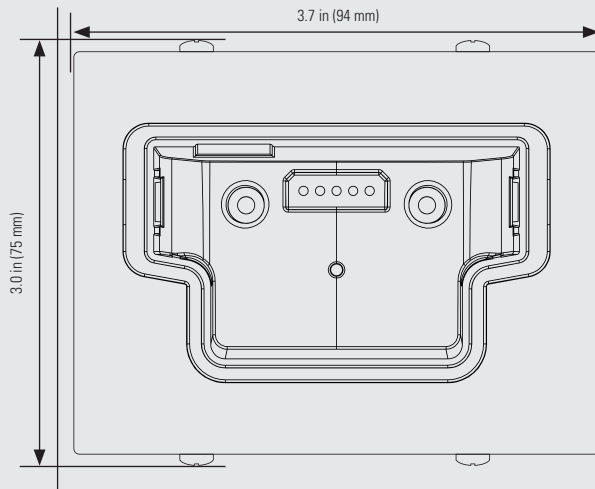
## SIZE AND WEIGHT

Dimensions	3.7 x 3.0 x 1.6 in (94 x 75 x 40 mm).
Weight	8.6 oz (244 g).

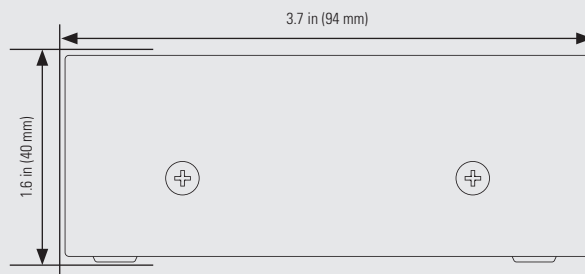
## CHARGING AND POWER

Charging	Up to 8 hrs from a fully flat VB400 battery.
Power Requirement	5V USB.

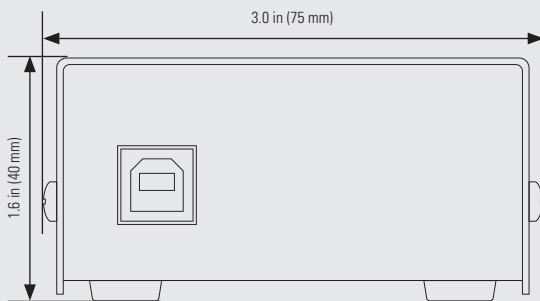
**Top**



**Front**



**Left Side**



**Right Side**



For more information, please visit: [www.motorolasolutions.com/BWC](http://www.motorolasolutions.com/BWC)



Motorola Solutions Inc., 500 W Monroe St, Chicago, IL 60661. U.S.A

Availability is subject to individual country law and regulations. All specifications shown are typical unless otherwise stated and are subject to change without notice. MOTOROLA, MOTO, MOTOROLA SOLUTIONS and the Stylized M Logo are trademarks or registered trademarks of Motorola Trademark Holdings, LLC and are used under license. All other trademarks are the property of their respective owners. © 2021 Motorola Solutions, Inc. All rights reserved. 02-2023 [JP11]